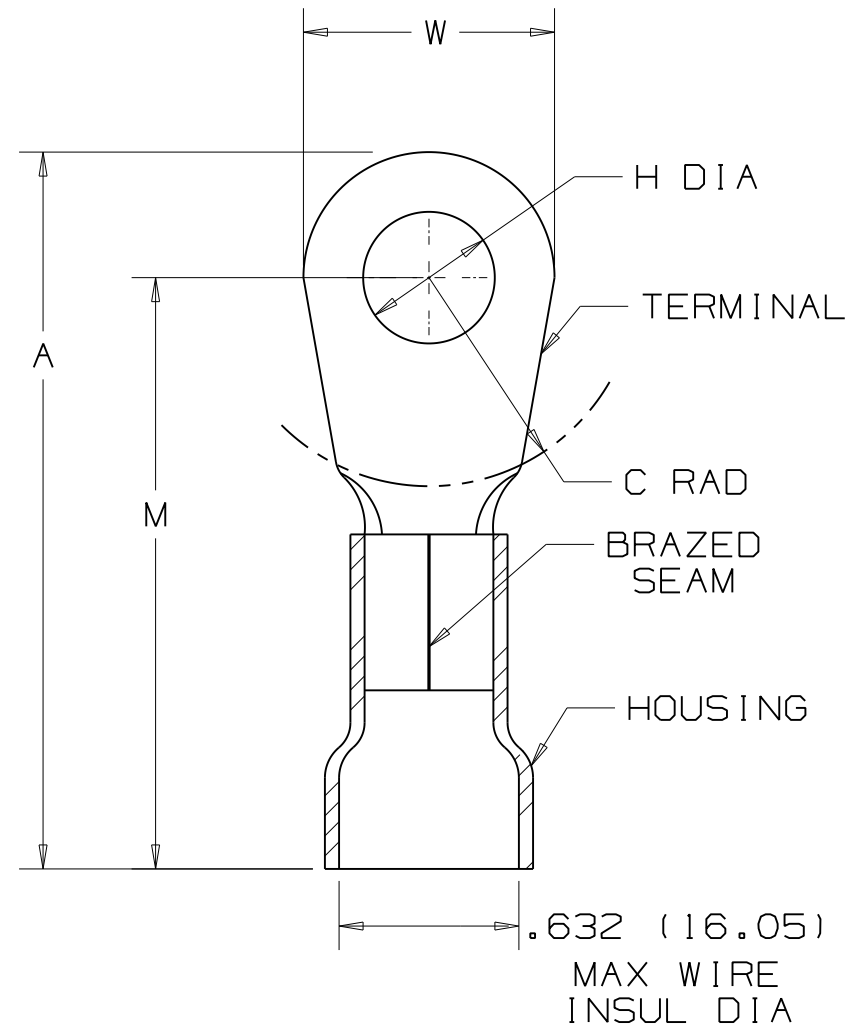


THIS COPY IS PROVIDED ON A RESTRICTED BASIS AND IS NOT TO BE USED IN ANY WAY DETRIMENTAL TO THE INTERESTS OF PANDUIT CORP.

| PANDUIT PART NUMBER |            | STUD SIZE | DIMENSIONS in.  |                |                |                 |                |
|---------------------|------------|-----------|-----------------|----------------|----------------|-----------------|----------------|
| PREFIX              | PK         |           | A $\pm .020$    | W $\pm .010$   | C $\pm .015$   | M $\pm .020$    | H $\pm .010$   |
| PV2-10RX            | -XY<br>-TY | #10       | 1.94<br>(49.28) | .68<br>(17.27) | .58<br>(14.73) | 1.60<br>(40.64) | .20<br>(5.08)  |
| PV2-14RX            | -XY<br>-TY | 1/4"      | 1.94<br>(49.28) | .68<br>(17.27) | .58<br>(14.73) | 1.60<br>(40.64) | .27<br>(6.86)  |
| PV2-56RX            | -XY<br>-TY | 5/16"     | 1.94<br>(49.28) | .68<br>(17.27) | .58<br>(14.73) | 1.60<br>(40.64) | .33<br>(8.38)  |
| PV2-38RX            | -XY<br>-TY | 3/8"      | 1.94<br>(49.28) | .68<br>(17.27) | .58<br>(14.73) | 1.60<br>(40.64) | .39<br>(9.91)  |
| PV2-12RX            | -XY<br>-TY | 1/2"      | 2.03<br>(51.56) | .86<br>(21.84) | .58<br>(14.73) | 1.60<br>(40.64) | .52<br>(13.21) |

NOTES:

- UL LISTED FOR:
  - 600V MAX VOLTAGE RATING
  - 221° F (105° C) MAX TEMP RATING
  - #2 AWG STRANDED COPPER WIRE
- PACKAGE QTY: STD. PKG. -X = 10  
BULK PKG. -T = 200, -TY = 200
- MATERIAL:
  - STAMPING - .060" (15.2) THK COPPER, TIN PLATED
  - HOUSING - VINYL, RED
- DIMENSIONS IN BRACKETS ARE IN MILLIMETERS
- INSTALLATION TOOL: CT-720



LISTED  
587H  
E52164

A41220

**PANDUIT** CORP.

TINLEY PARK, ILLINOIS

#2 BARREL VINYL INSULATED RING TONGUE  
.632 (16.05) MAX. WIRE INSUL. DIAMETER

| 06  | 3-10 | SB |     | Corrected UI file number |      |    |      |    |          |       |
|-----|------|----|-----|--------------------------|------|----|------|----|----------|-------|
| REV | DATE | BY | CHK | DESCRIPTION              | ECN# | QA | CUST | PM | DRAWN BY | CHK'D |
|     |      |    |     |                          |      |    |      |    | DAW      |       |

|       |      |             |        |
|-------|------|-------------|--------|
| SCALE | NONE | DRAWING NO. | A41220 |
|-------|------|-------------|--------|